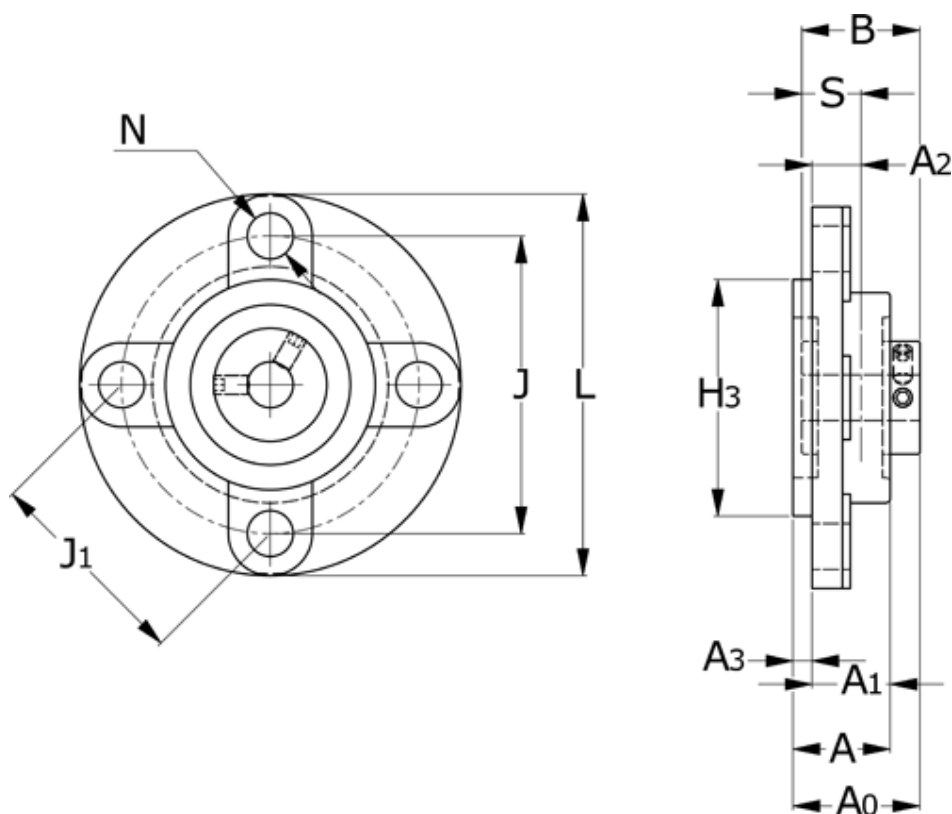


Article number: 5725027213

Description: NSK Cirkular flange unit UCFC213D1

Measures



A = 50	J1 = 120.2
A0 = 69.7	L = 205
A1 = 36	N = 19
A2 = 16	S = 25.4
A3 = 14	Shaft = 65
B = 65.1	
H3 = 145	
J = 170	